

GlasStile R

Motorised Low Height Entrance Gate for Internal Installation

Entrance Gates are designed to combine smooth function and sophisticated appearance with security needs in settings where design is important. The Entrance Gates are completely silent and provide easy passage and high through-put. Designed to reduce the barrier effect and create a welcome atmosphere, visitors can immediately see how and where they should enter.

A wide range of designs, materials and functions are available. A grained or polished stainless steel motorised column with three glass wings, curved glass, steel curved handrails and material options for the handrails complete the offering.

Passage in both directions is electronically controllable. On receiving a signal from the access control system or push button, the unit will unlock and be in a state of readiness for use.

When the paddle receives pressure from the user i.e. push to start, the motor will take over and drive 120° to its next home position. Should the wing meet any resistance it will stop and nudge forward. If obstruction continues the unit will alarm and free wheel. An auto-reset will re-establish control. Should an attempt be made to tailgate the unit will lock. The auto reset will re-establish control.



GlasStile R

Technical Specifications

Drive

Motorised, pass left or pass right. Logic Voltage 24Vac

Materials

- Type A - 304 grade grained stainless steel. 63mm dia. uprights and 38mm dia. handrail
- Type B - 304 grade polished stainless steel. 50mm dia. uprights and handrail
- Type C - 304 grade grained stainless steel. 63mm dia. uprights with handrail design and material choice and 10mm curved toughened glass

Rotor column: 220mm dia. 304 grade grained stainless steel

Rotor wing: 3N° 10mm thick clear toughened frameless glass panels

Power Failure / Fire Alarm

In the event of an emergency or isolation of power supply, unit will failsafe i.e. rotor will freely turn in both directions. Input facility available for voltage free contact supplied by others to effect fire alarm fail safe state.

Additional Interface

Potential-free contact provided by either a card reader or push button input. Card reader inhibit and reset output signals available as standard. The unit has an adjustable time out facility, i.e. go signal will be cancelled if passage through GlasStile is not completed within pre-set time. The standard default is 15 seconds adjustable via the hand held programmer.

Power Supply / Power Rating

230Vac 50Hz or 115Vac 60Hz. Power rating 250VA

Operating Temperature / IP Rating / MCBF / MTTR

+5 to +40°C (RH 95% not condensing) / IP20 / 1M cycles / less than 30min

Flow Rates (approximate figures)

- Insertion Type Reader, 20 passage per minute
- Swipe Type Reader, 30 passage per minute
- Proximity Reader "Hands Free", 35 passage per minute

Models or Versions

- Type A
 - Type B
 - Type C
- Available configurations (for all versions)
- 1350mm dia.
 - 1500mm dia.

Options

- Alternative handrail finishing and materials
- Card reader integration
- Push button control
- Remote console
- Hand held programmer
- Push bar
- Remote control system

Applications

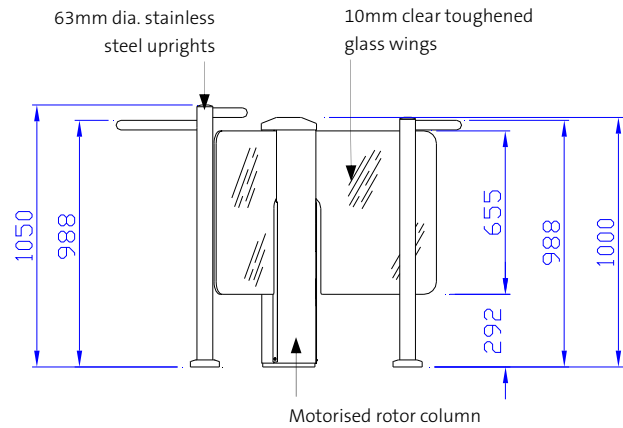
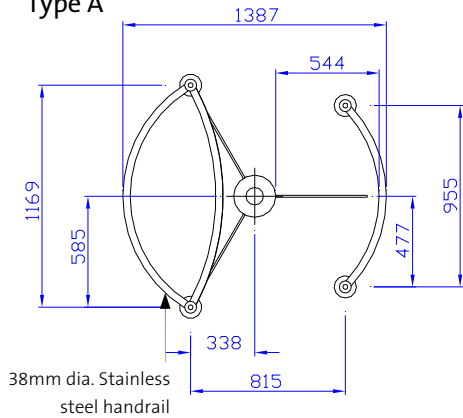
- Government
- Retail
- Finance
- Telecommunications
- Information technology
- Banking
- Publishing
- Leisure
- Petrochemical
- Education

GlasStile R

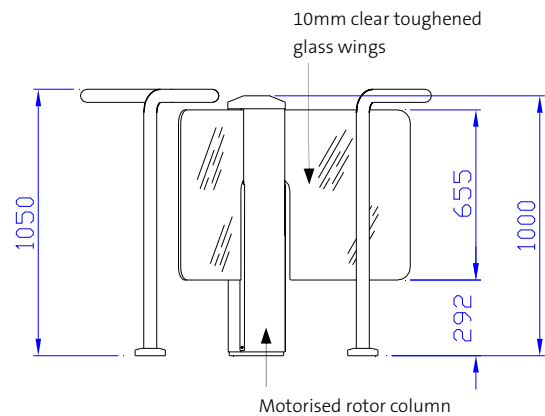
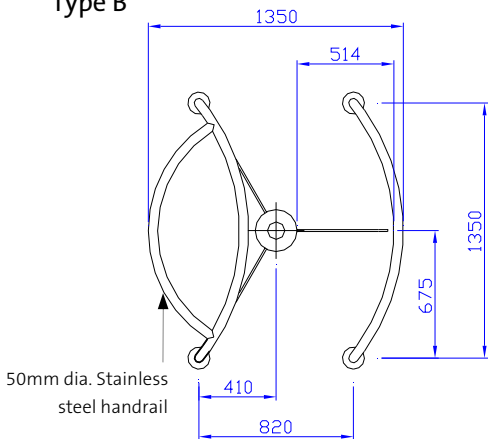
Models and Configurations: GlasStile R1350

Product delivered in a kit form i.e. Wings, Casework and Rotor and may require lifting equipment. Approx. Weight: 170Kg
 (For installation details, please refer to installation layout drawings)

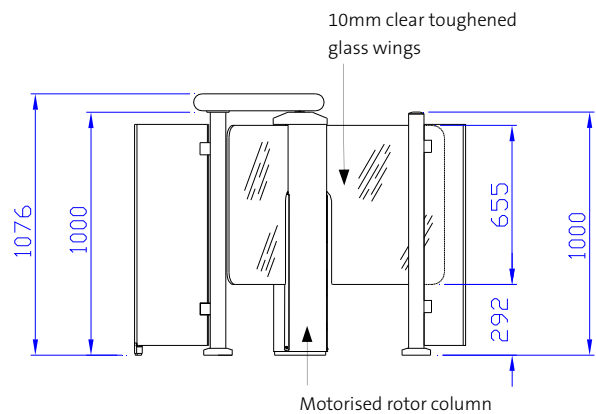
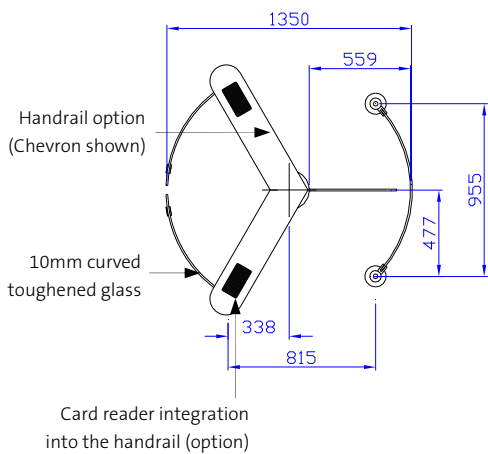
Type A



Type B



Type C



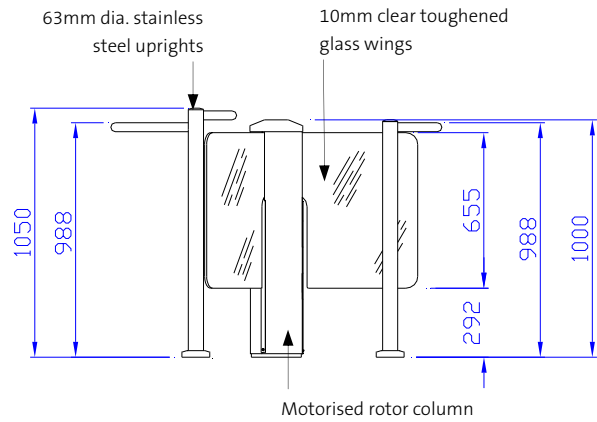
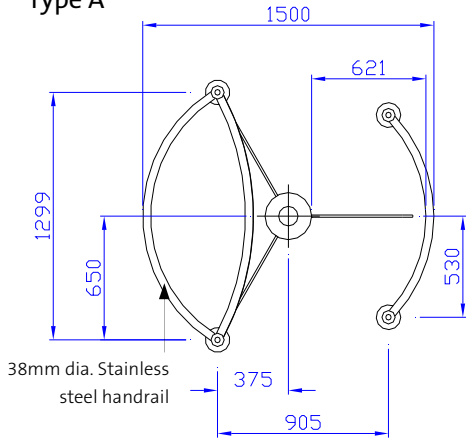
Concrete Base to specification at least fck (cube) 300N/mm² of resistance
 Base to be flat and level to +/- 5mm over footprint area. Dimensions to be > 300 x 300 x 350 deep min (units in mm)

GlasStile R

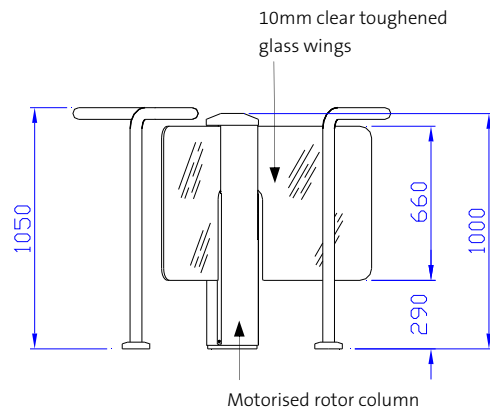
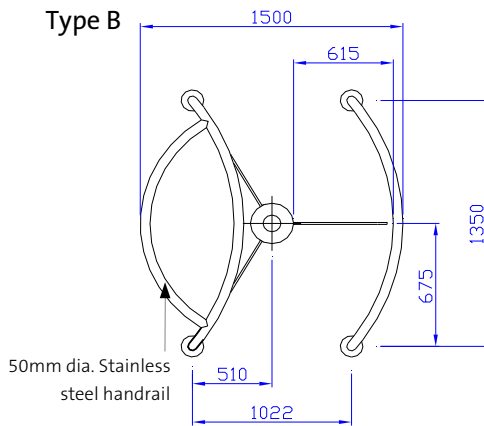
Models and Configurations: GlasStile R1500

Product delivered in a kit form i.e. Wings, Casework and Rotor and may require lifting equipment. Approx. Weight: 180Kg
 (For installation details, please refer to installation layout drawings)

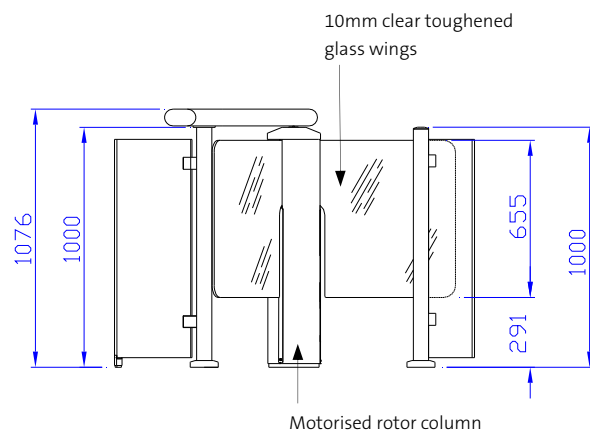
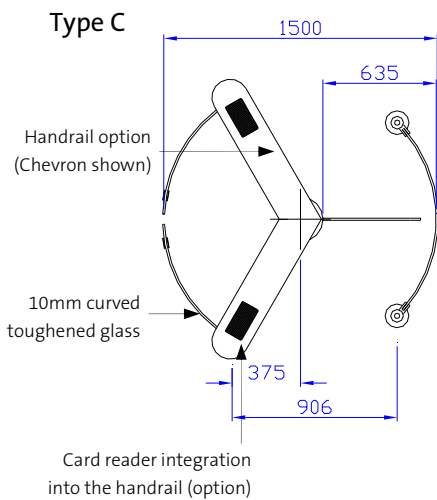
Type A



Type B



Type C



Concrete Base to specification at least fck (cube) 300N/mm² of resistance
 Base to be flat and level to +/- 5mm over footprint area. Dimensions to be > 300 x 300 x 350 deep min (units in mm)

GlasStile R

Important

- Any horizontal pipe or conduit running below the GlasStile must be at least 140mm below FFL
- Metal conduit for cables should be raised at least 50mm from foundation
- It is the customer's responsibility to ensure the structural integrity and strength of the installation location
- Dimensions provided in this Product Data Sheet are for information only. In order to prepare the installation site, please refer to your usual Gunnebo Customer Service contact

For further information please contact:

Competence Centre Entrance Control

c/o Gunnebo Entrance Control Ltd

Bellbrook Business Park

Uckfield, East Sussex, TN22 1QQ

United Kingdom

Tel +44 1825 761 022

Fax +44 1825 763 835

E-mail info.entrancecontrol@gunnebo.com

Web www.gunnebo.com/entrancecontrol



Note: In pursuit of its policy of continuous refinement and improvement, Gunnebo Competence Centre Entrance Control reserves the right to modify design and details at any time and without notice.

www.gunnebo.com

GUNNEBO
For a safer world®