



SpeedStile FL

Flap Panel Gate for Internal Installation

This speed gate product provides a high design finish together with effective security features. Large range of possible personalisation and options. Proven technology for fast and reliable operation.

The small footprint makes the SpeedStile FL the preferred solution for site where security and high flow rate in a limited space is required. Its glass and stainless steel design allows it to incorporate into most areas and helps minimise the barrier effect.

Passage in both directions electronically controlled.

The SpeedStile FL is available in Normally Closed (N/C) mode and it will only open on acceptance of an authorised signal. On receiving a signal from the access control system, or push button, the panels will open. If an unauthorised person tries to tailgate or attempts to enter from the opposite direction, the system detects the unauthorised passage and activates the in-built alarm system.

Presence detection is achieved by 10 infrared sensors. Wide walkway to comply with disability discrimination requirements are available.



SpeedStile FL

Technical Specifications

Drive

Motorised panel wing drive system. Safety photocell. Logic voltage 24Vac and 30Vac

Materials

Top:	304-grade grained stainless steel
Front:	304-grade grained stainless steel
Side Cladding:	304-grade grained stainless steel
Inlay:	Black glass lens
Rotor:	304-grade grained stainless steel shaft wing
Panels:	10mm tempered glass bonded into rotor
Centre Sections:	10mm tempered glass

Power Failure / Fire Alarm

- In the event of a power failure, the panels will remain in the current position and they can be pushed freely in the exit or evacuation direction
- The wings can also be powered to the open position with the use of its internal battery back-up system (option)
- For the fire alarm, an input facility is available for voltage free contact supplied by others to effect fail state

Status Lights

50mm diameter LED display status lights flush mounted within the lid top surface with green arrow, red cross and green card illuminated symbols

Additional Interface

RS232 and RS 485 serial interface available on the master logic panel

Power Supply / Power Rating

230Vac 50Hz or 115Vac 60Hz (on demand). Power rating 300VA (stand by 120VA)

Operating Temperature / IP Rating / MCBF / MTTR

+5°C to +40°C (RH 95% not condensing) / IP20 / 1M cycles / less than 30min

Flow Rates (approximate figures)

- Insertion Type Reader, 20 passages per minute
- Swipe Type Reader, 25 passages per minute
- Proximity Reader "Hands Free", 40 passages per minute

Models or Versions

- 550mm walkway
- 900mm walkway
- Combi left or right

Options

- Alternative top lid materials
- Card Reader integration
- Battery back-up
- Push button control
- Remote console

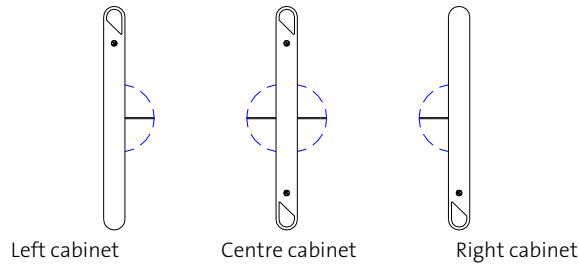
Applications

- Government
- Retail
- Finance
- Telecommunications
- Information Technology
- Banking
- Publishing
- Leisure
- Petrochemical
- Education

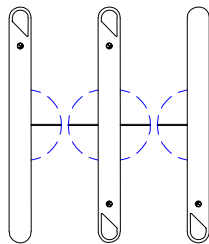
SpeedStile FL

Models and Configurations / Status Light User Instructions

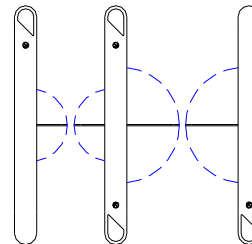
Models Available



General Lane Configurations



Two lane configuration comprising of 1N° L, 1N° C and 1N° R cabinets, 2 x 550mm passage



Two lane configuration comprising of 1N° L, 1N° C and 1N° R cabinets, 1 x 550mm + 1 x 900mm passage

Normal Use



Green card (Rest mode)

- Present personal security card to the reader mounted upon the unit for authorisation
- Wait for the green arrow to illuminate and the barrier to open



Green arrow (Authorised use or designated free passage)

- Proceed through the unit

Note - For FREE PASSAGE configuration, authorisation is not required and is normally used for EXIT only



Red cross (Unit in use or no passage)

- Wait until the passageway has been vacated and for either the green card or green arrow to illuminate

Alarm Conditions



Flashing red cross and audible alarm (Fraudulent condition)

This alarm mode will be activated through the following scenario:

- Passageway is already in use and a second person has attempted to follow through without authorisation (tail-gating) OR passageway is currently used and passage is not allowed
- Do not panic
- Vacate the passageway
- Wait for the flashing red cross to stop flashing and the audible alarm to cease
- Wait for the green arrow to illuminate to indicate who has the right of passage



Flashing green card (Incorrect use mode)

- Do not panic
- Remain in the walkway and present personal security card to the reader mounted on the unit for authorisation
- Authorisation of passage will cancel the alarm condition



Flashing green arrow (Emergency / Fire Exit)

- Do not panic
- There is FREE PASSAGE to evacuate through the gate

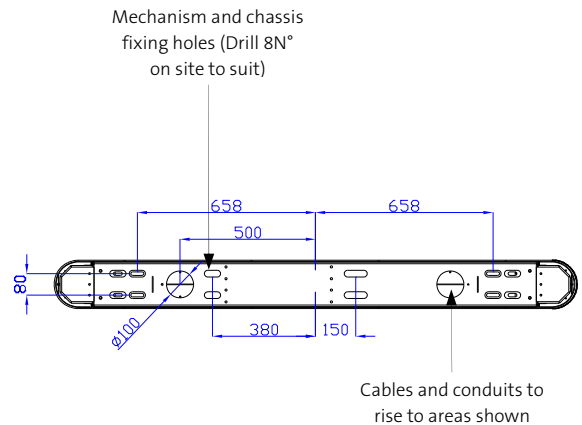
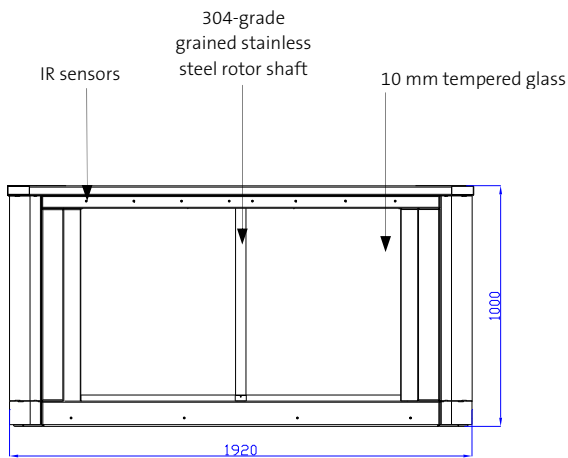
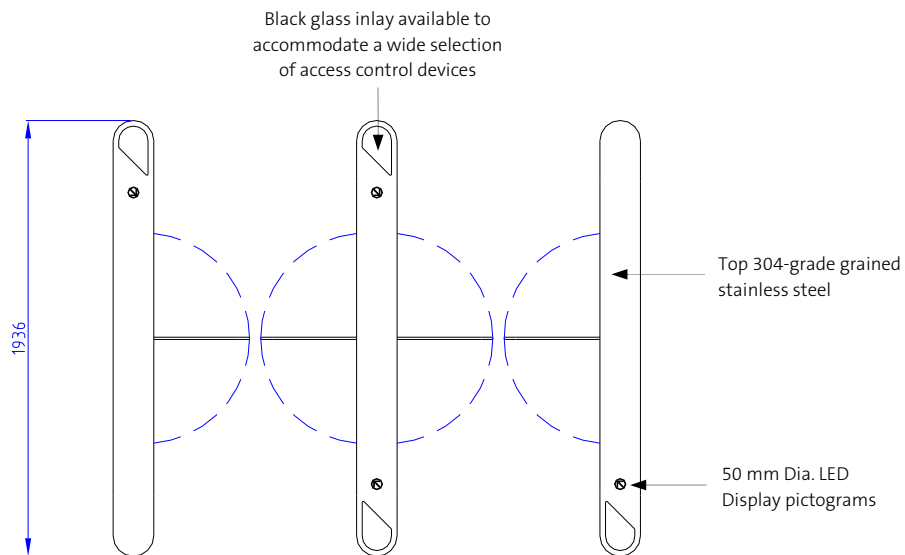
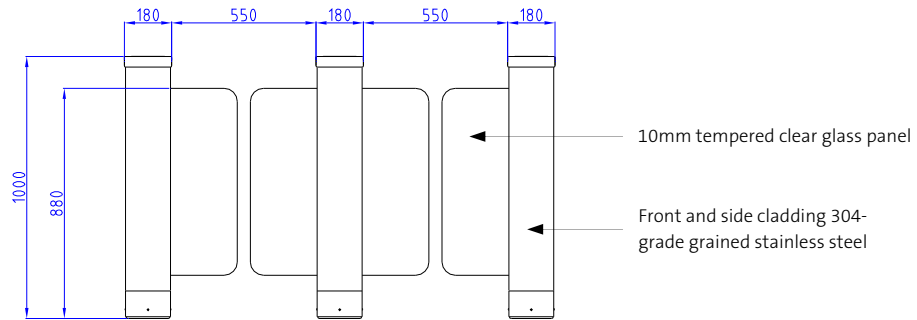
SpeedStile FL

Site Preparation: Narrow Cabinet Normally Closed only

Product delivered fully assembled and may require lifting equipment

Approx. Weight for narrow and wide configurations: L or R cabinet 135Kg, C version 150Kg

(For installation details, please refer to installation layout drawings)



Concrete Base to specification at least fck (cube) 300N/mm² of resistance

Base to be flat and level to +/- 5mm over footprint area. Dimensions to be > 2500 x 500 x 150 deep min (units in mm)

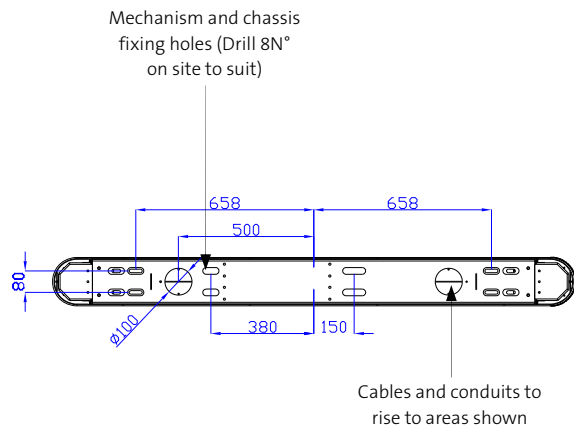
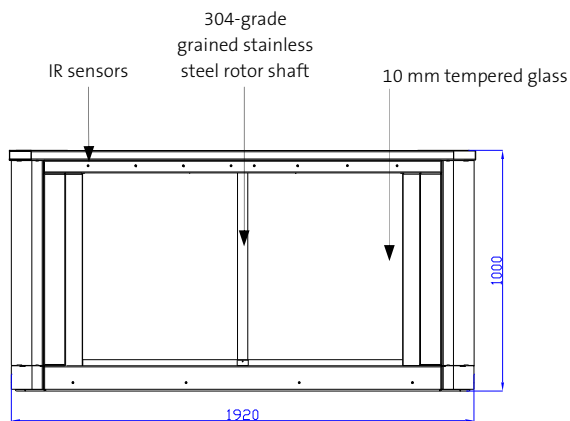
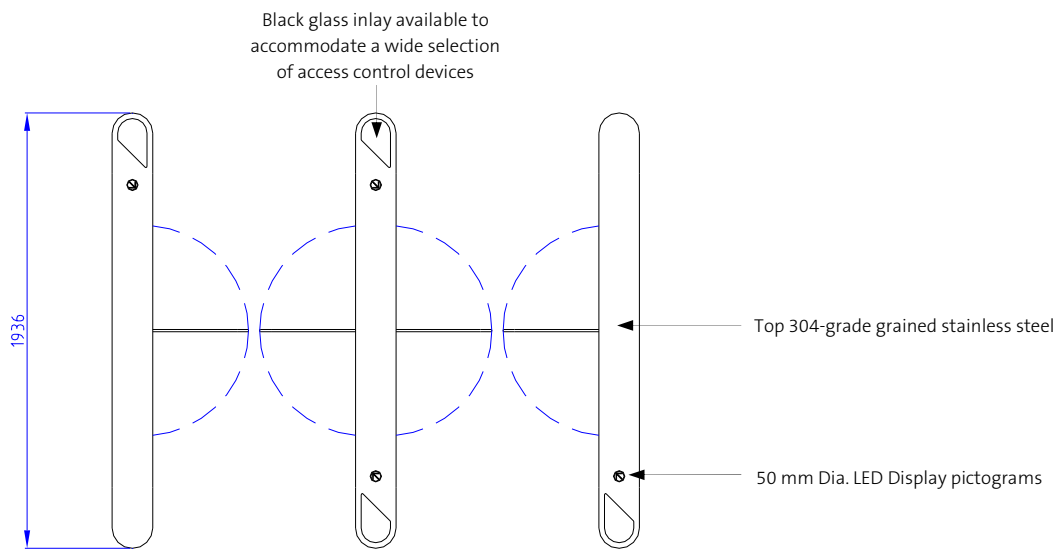
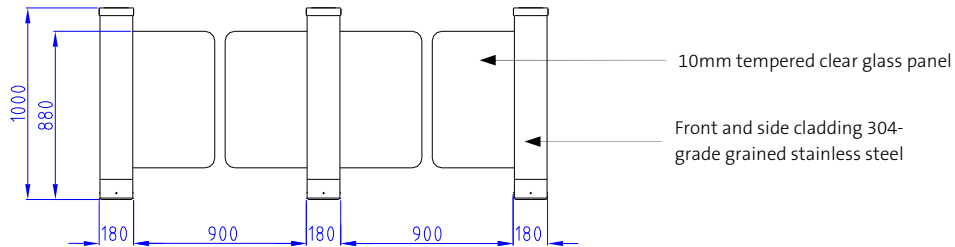
SpeedStile FL

Site Preparation: Wide Cabinet Normally Closed only

Product delivered fully assembled and may require lifting equipment

Approx. Weight for narrow and wide configurations: L or R cabinet 135Kg, C version 150Kg

(For installation details, please refer to installation layout drawings)



Concrete Base to specification at least fck (cube) 300N/mm² of resistance

Base to be flat and level to +/- 5mm over footprint area. Dimensions to be > 2500 x 500 x 150 deep min (units in mm)

SpeedStile FL

Important

- Any horizontal pipe or conduit running below the SpeedStile must be at least 140mm below FFL
- Metal conduit for cables should be raised at least 50mm from foundation
- It is the customer's responsibility to ensure the structural integrity and strength of the installation location
- Dimensions provided and pictures shown in this Product Data Sheet are for information only. In order to prepare the installation site, please refer to your usual Gunnebo Customer Service contact

For further information please contact:

Competence Centre Entrance Control

c/o Gunnebo Entrance Control Ltd
Bellbrook Business Park
Uckfield, East Sussex, TN22 1QQ
United Kingdom

Tel +44 1825 761 022
Fax +44 1825 763 835
E-mail info.entrancecontrol@gunnebo.com
Web www.gunnebo.com/entrancecontrol



Note: In pursuit of its policy of continuous refinement and improvement, Gunnebo Competence Centre Entrance Control reserves the right to modify design and details at any time and without notice.

www.gunnebo.com

GUNNEBO
For a safer world®